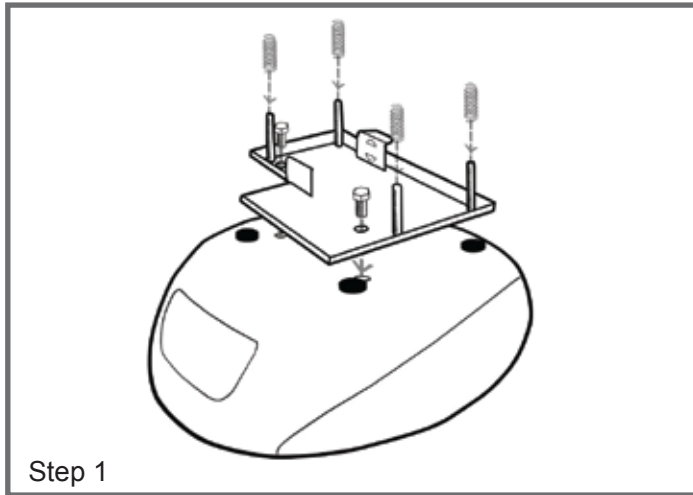
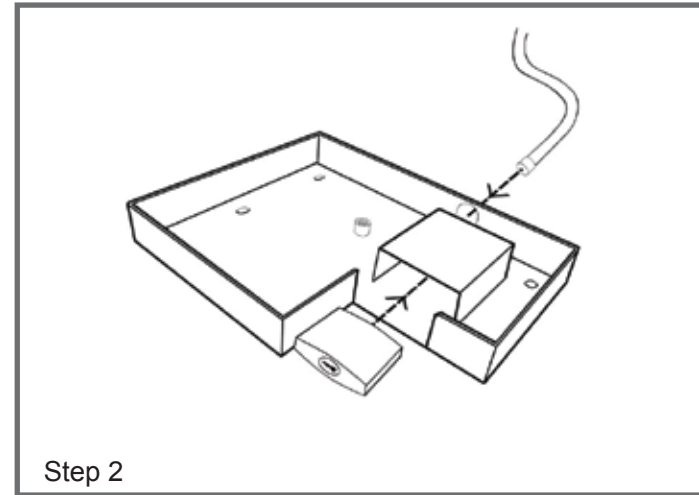


# 3M PROJECTOR MOUNTING KIT ASSEMBLY INSTRUCTIONS



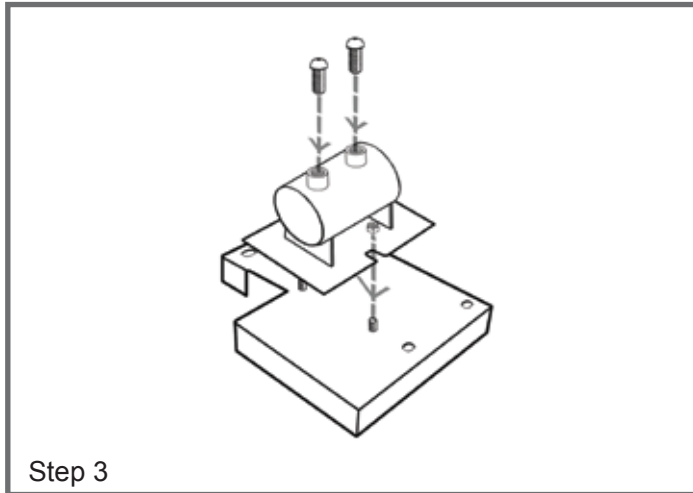
Step 1

Attach bottom plate to the projector using 3 bolts.  
Place springs on the four pegs.



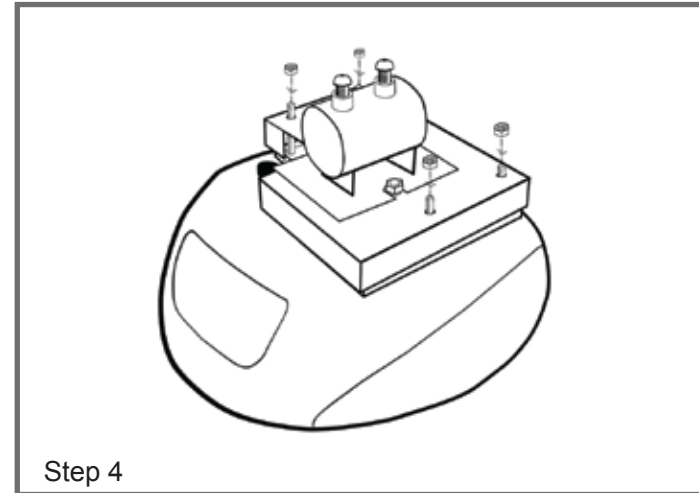
Step 2

Insert lock into slot on the top plate with keyhole  
facing away from the oval aperture.



Step 3

Attach the projector plate collar to the top plate  
using two washers and nylock nuts.  
Loosely attach button head screws into plate collar  
ready for attaching to the boom arm.



Step 4

Put the top plate over the bottom plate and attach  
with four washers and nylock nuts.  
Thread whole system onto boom arm and tighten button head  
screws- this can be adjusted later.  
Attach cables to the projector.